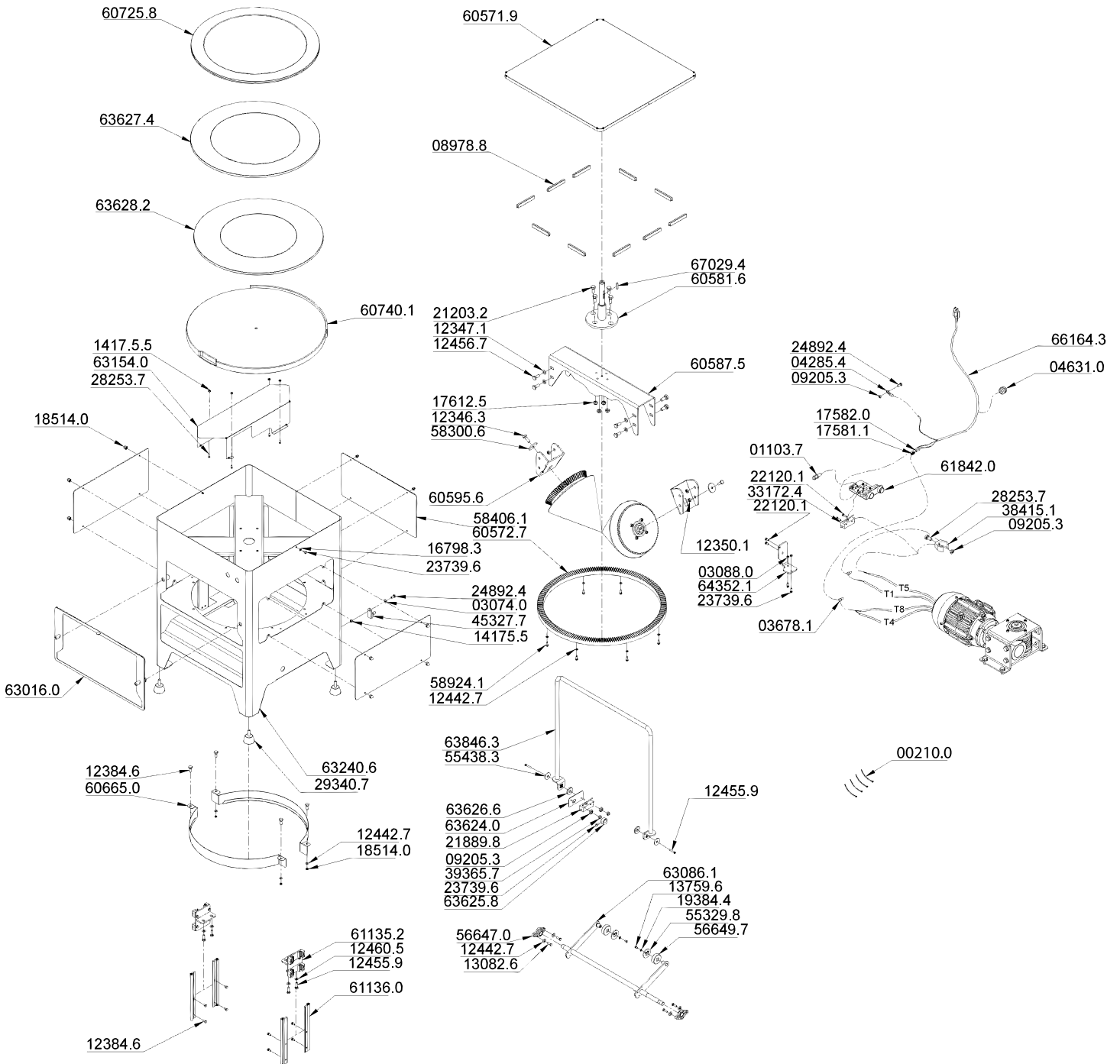


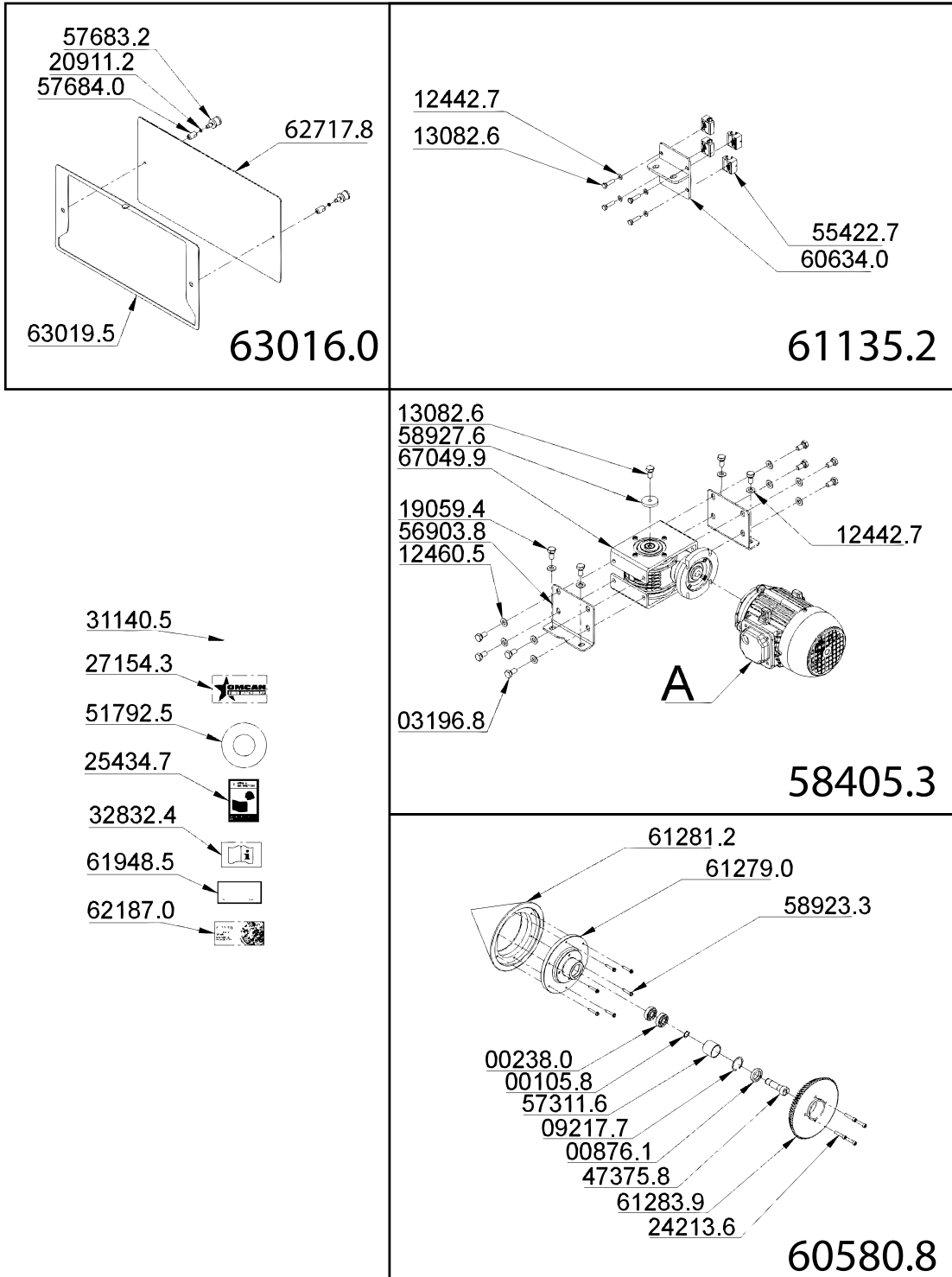
Parts Breakdown

Model PE-BR-0500 45763



Parts Breakdown

Model PE-BR-0500 45763





Parts Breakdown

Model PE-BR-0500 45763

Item No.	Description	Position	Item No.	Description	Position	Item No.	Description	Position
AF877	Shaft Retainer Ring 20x1.2 DIN 471 for 45763	00105.8	38341	Washer 1/4x5/8x1.2mm Stainless Steel for 45763	19384.4	67077	Screw 6.3x40 DIN 571 ZB for 45763	58923.3
27688	Clamp K22 (T 50R) for 45763	00210.0	38052	Magnet Diam.8x4mm for 45763	20911.2	67078	Screw 6.3x19 DIN 7970 Stainless Steel for 45763	58924.1
16396	Ball Bearing 6204 Z for 45763	00238.0	67031	Key MG-2605 IRE3Y - KEMA Certified for 45763	21889.8	67079	Washer Diam.30xDiam.7x5mm for 45763	58927.6
67021	Retainer.00131BR* (F0311) DI.30xDE.47xL.10 for 45763	00876.1	67032	Screw M3x25 DIN 7985 ZB for 45763	22120.1	67086	Superior Closure 500 for 45763	60571.9
67022	Light.LP-11C 110/220V Red for 45763	01103.7	67033	Screw M4x10 DIN 933 Stainless Steel for 45763	23739.6	67087	Central Gear Z192 M3 for 45763	60572.7
38152	Washer L.A4.3 for 45763	03074.0	67034	Screw M8x40 DIN 912 for 45763	24213.6	67088	Complete Conical Roll 500 for 45763	60580.8
38393	Screw Nut M3 DIN 934 ZB for 45763	03088.0	67035	Screw M4x16 DIN 912 Stainless Steel for 45763	24892.4	67089	Central Shaft Set 500 for 45763	60581.6
38395	PFS M8x10 DIN 933 ZB for 45763	03196.8	38168	Safety Instructions Label for 45763	25434.7	67090	Cones Support 500 for 45763	60587.5
27696	Nylon Cover CN 4478 for 45763	03678.1	27720	Omcan Logo (Machines) for 45763	27154.3	67091	Cones Adjustment Set for 45763	60595.6
38089	Pre Isolating Terminal for 45763	04285.4	38344	PFS M4x8 DIN 933 Inox for 45763	28253.7	67092	Moving Car Set for 45763	60634.0
38153	Press Cable PC 8.8mm for 45763	04631.0	67037	Foot BOR.Red.C/PFS M10x30 D.50x34x30 ALT for 45763	29340.7	67093	Central Protection for 45763	60665.0
67023	Finishing Lining 550mm for 45763	08978.8	67038	Grounded Wire Label for 45763	31140.5	AN066	Tray with Edge 16" for 45763	60725.8
38404	Nut M4 DIN 934 for 45763	09205.3	67040	Instruction Manual Label for 45763	32832.4	67097	Modeler Base 500 for 45763	60740.1
27703	Ring 47x1.75 DIN 472 for 45763	09217.7	67041	Key 40127 A2E3Q-NA KEMA for 45763	33172.4	AN067	Complete Shift Trolley (611352) for 45763	61135.2
67026	Screw M10x30 DIN 933 Stainless Steel for 45763	12346.3	30070	Capacitor Support 60Hz for 45763	38415.1	AN068	Linear Guide Drylin W 240mm for 45763	61136.0
38207	Washer.L.A10.5 DIN 125 Stainless Steel for 45763	12347.1	AH600	PCA M4 DIN 985 ZB for 45763	39365.7	AN069	Roller Bearing 500 for 45763	61279.0
38489	Nut M10 DIN 934 Stainless Steel for 45763	12350.1	AH622	10mm Shoe Mechanical Therm for 45763	45327.7	AN070	Conical Roller 500 (612812) for 45763	61281.2
16416	Screw M6x12 DIN 933 Stainless Steel for 45763	12384.6	67048	Cone Shaft for 45763	47375.8	AN071	Conic Gear Z-73 M3(612839) for 45763	61283.9
16419	Washer L.A6 4 125 Inox for 45763	12442.7	AN064	Label. Do Not Use GR. Water Jet. Hey for 45763	51792.5	67105	Activating Set for 45763	61842.0
16422	Screw M8x20 DIN 933 Stainless Steel for 45763	12455.9	67054	Washer with Facet for 45763	55329.8	67108	On/Off Label for 45763	61948.5
67027	Screw M10x25 DIN 933 Stainless Steel for 45763	12456.7	67056	Bearing Drylin W with Adjustment for 45763	55422.7	67109	Label E/I for 45763	62187.0
16423	Washer L.A8.4 Stainless Steel for 45763	12460.5	67057	Washer Diam.35xDiam.10.5x3 for 45763	55438.3	67110	Frontal Closure for 45763	62717.8
16429	Screw M6x20 for 45763	13082.6	67058	Flanged Bushing EFOM-17 for 45763	56647.0	67111	Complete Frontal Protection for 45763	63016.0
67029	Screw M6x10 DIN 933 Stainless Steel for 45763	13759.6	67059	Roller for 45763	56649.7	67114	Activator Set 500 for 45763	63086.1
30047	Nut M4 Din 934 for 45763	14175.5	67060	Reductor Support for 45763	56903.8	67115	Air Deflector for 45763	63154.0
30048	Cable 3x0,75mm for 45763	16798.3	AN065	Separator Diam.47 for 45763	57311.6	67116	Central Structure Set for 45763	63240.6
79037	Positive Terminal Lock for 45763	17581.1	67066	Stainless Steel Handle M8 for 45763	57683.2	67117	Activator Closure Set for 45763	63624.0
30050	Terminal Cover for 45763	17582.0	67067	Magnet Housing for 45763	57684.0	67118	Excentric Activator for 45763	63625.8
AF993	Nut M8 DIN 985 ZB for 45763	17612.5	67071	Tightening Washer for 45763	58300.6	67119	Lever Separator for 45763	63626.6
67030	Nut M6 DIN1587 Right Nickel Plated Brass for 45763	18514.0	67073	Complete Reductor Motor 110V for 45763	58405.3	AN072	Tray with Edge 50 and 35 for 45763	63627.4
27709	Screw M8x16 DIN 933 ZB for 45763	19059.4	67074	Side Closure without Logo for 45763	58406.1	AN073	Tray with Edge 45 and 30 for 45763	63628.2

Parts Breakdown

Model *PE-BR-0500* 45763

Item No.	Description	Position	Item No.	Description	Position	Item No.	Description	Position
67125	Lever Set 500 for 45763	63846.3	AN075	Cable 3x1.0mm2x900mm for 45763	66164.3	AN077	Movable Table Reducer 1:40 L0413202V0A00 for 45763	67049.9
AN074	Key Support (643521) for 45763	64352.1	AN076	Wrench 6x6x32 Type "A" for 45763	67029.4			